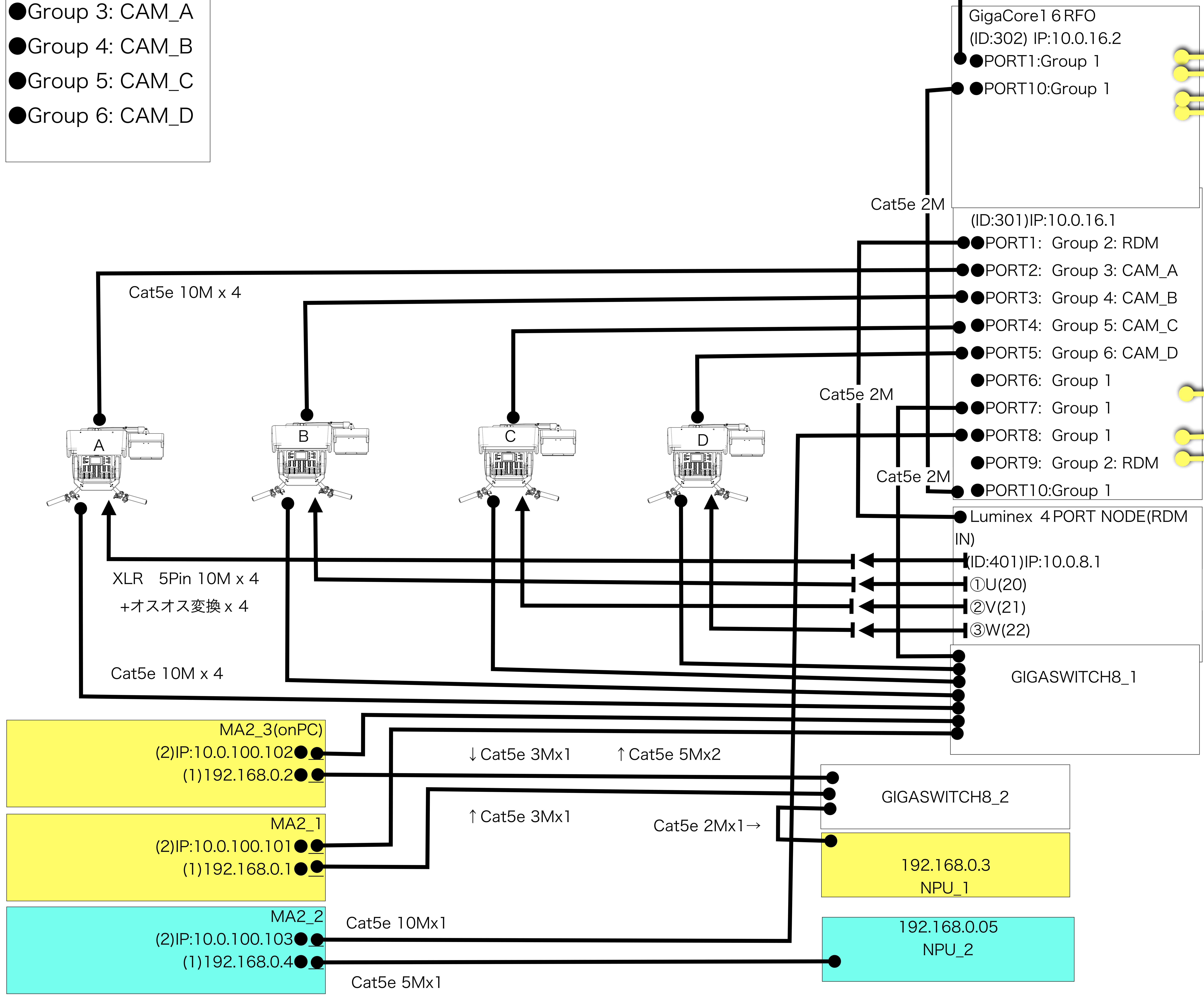


- Group 1:○
- Group 2: RDM
- Group 3: CAM_A
- Group 4: CAM_B
- Group 5: CAM_C
- Group 6: CAM_D



- MA2 x 2
- MA2(ONPC) x 1
- GigaCore16 RFO(301) x 1
- GigaCore16 RFO(302) x 1
- Gigaswitch8 x 2
- NPU x 2
- MA 4Port Node(401) x 1
- Opt100M x 4
- Opt150M x 1
- Opt200M x 2
- Opt50M x 2
- Cat5e 10M x 9
- Cat5e 5M x 3
- Cat5e 3M x 2
- Cat5e 2M x 4
- XLR 5Pin 10M x 4
- オスオス変換 x 4